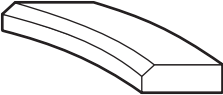
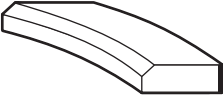
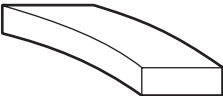
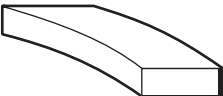
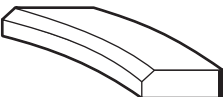
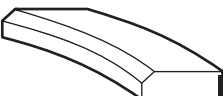

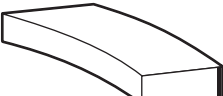
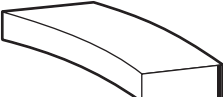

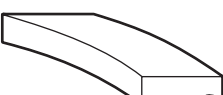



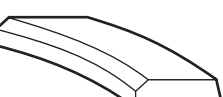
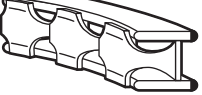

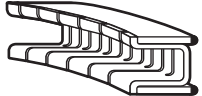



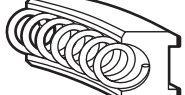
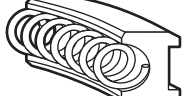
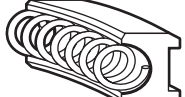
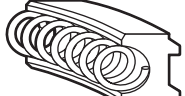




Compression Rings

PISTON RING TYPES

Oil Rings

TORSIONAL TWIST CAST IRON	PL	
TORSIONAL TWIST CAST IRON CHROME	CH	
SQUARE CAST IRON	SQ	
SQUARE STEEL CHROME	SC	
TORSIONAL TWIST STEEL CHROME	SCT	
TORSIONAL TWIST CAST IRON PLASMA MOLY	PM	
SQUARE CAST IRON 3 SIDES CHROME	IC	
HALF KEYSTONE STEEL/DUCTILE IRON CHROME	HK	
FULL KEYSTONE STEEL/DUCTILE IRON CHROME	FK	
STEP SCRAPER CAST IRON	DS	
NAPIER CAST IRON	N	
BEVELED STEP SCRAPER CAST IRON	BS	
REVERSE TORSIONAL TAPER FACE CAST IRON	RTTF	
TAPER FACE CAST IRON	TF	
TORSIONAL TWIST TAPER FACE CAST IRON	TTF	

"SS" EXPANDER SPACER w/ CHROME RAILS	CO	
"SIDEWINDER" EXPANDER SPACER w/ CHROME RAILS	OH	
"PC98" EXPANDER SPACER w/ CHROME RAILS	PC98	
"WIRE LATCH" EXPANDER SPACER w/ CHROME RAILS (Rails not shown)	WL	
EXPANDER SPRING & SEPARATOR w/ CHROME RAILS	B	
CAST IRON SPACER & SPRING EXPANDER w/ CHROME RAILS	X	
SPRING LOADED OIL RING, SYMMETRIC BEVEL CAST IRON CHROME	CS	
SPRING LOADED OIL RING, SYMMETRIC BEVEL CAST IRON NO CHROME	PS	
SPRING LOADED OIL RING, SYMMETRIC BEVEL CAST IRON CHROME INSIDE GROOVE	PSI	
SPRING LOADED OIL RING, w/ BEVEL CAST IRON	GS	
SLOTTED OIL RING, GROOVED w/ BEVEL CAST IRON	GB	
SLOTTED OIL RING, GROOVED CAST IRON	W	
SLOTTED OIL RING, GROOVED w/ SYMMETRIC BEVEL CAST IRON	WA	